

Product Datasheet



Products Family : Led Lighting Fixture
Products Name : Led Pendant Light Lina

Datasheet is valid for following Model numbers

Product Code	CCT	Body Color
BH16-09180	3IN1	White
BH16-09181	3IN1	Black
BH16-09186	3IN1	Golden

Manufacturer:
Demgrup international lighting limited
unit d 16/f,one capital place,18 luard road
wan chai, Hong Kong
www.demgrup.com.tr

Importer / Company:
Braytron S.R.L
Bulevardul iuliu maniu,nr.616, corp B
etaj 1 sector 6,061129 bucuresti, Romania
info@braytron.com www.braytron.com

Test condition:light for 30 mins under nominal voltage input and 25°C±1°working environment

General Characteristics

- Family : Led Lighting Fixture
- Sub Family : Led Pendant Light Lina
- Mounting Type : Pendant Mounting
- Lamp Shape : Non-Directional
- Dimmable : Not-Dimmable
- Light Source : LED
- Warranty : 3 years
- Class : Class I
- IP : IP20

Lamp Characteristics

- Wattage : 35 w
- Color Temperatue : 3IN1
- Luminous Flux(whole Product) : 3060 lm
- Luminous Flux(LED System) : 3500 lm
- Color Rendering Index(CRI) : > 80
- Energy Efficiency Level : F
- Beam Angle : 120 Degree(s)
- Chromaticity(SDCM) : < 6

Electrical Characteristics

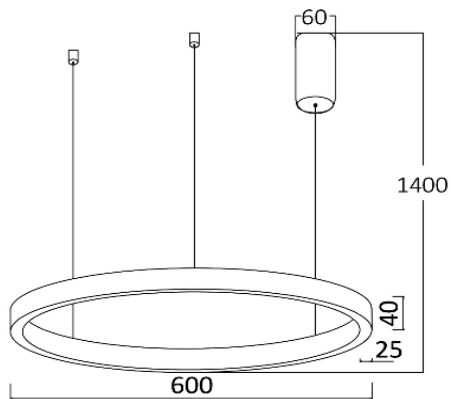
- Lifetime (L70B50) : 20000 h
- Input Voltage : 220-240V
- Frequency : 50-60 Hz
- Power Factor : > 0.9
- Starting Time : < 0.5 s
- Lumen Maintenance Factor : > 0.899
- Number of Switch Cycles : > 15000
- Material : Aluminium
- Working Temperature : -20°C~+45°C
- Storage Temperature : -20°C~+60°C
- Environment humidity(working) : 10%~65%

Test condition:light for 30 mins under nominal voltage input and 25°C±1°working environment

Lamp Dimensions & Weight

• Diameter(mm)	:	600
• Length(mm)	:	
• Width(mm)	:	
• Height(mm)	:	1400
• Cutout(mm)	:	
• Weight(kg)	:	1,64

Technical Drawing(s)



Reliability requirements and Test Conditions

- **Lumen maintenance**

Lumen maintenance is not lower than 89.9% after lighting for 2.5h on and 0.5h off for one cycle.
Total 1200 cycle and 3600h including 3000h on and 600h off.

- **Working life (L70B50)**

Under nominal voltage input, working life is forced not lower than 20000 h at 25°C±1°C

- **Remarks:**

Declared values above may vary ±5



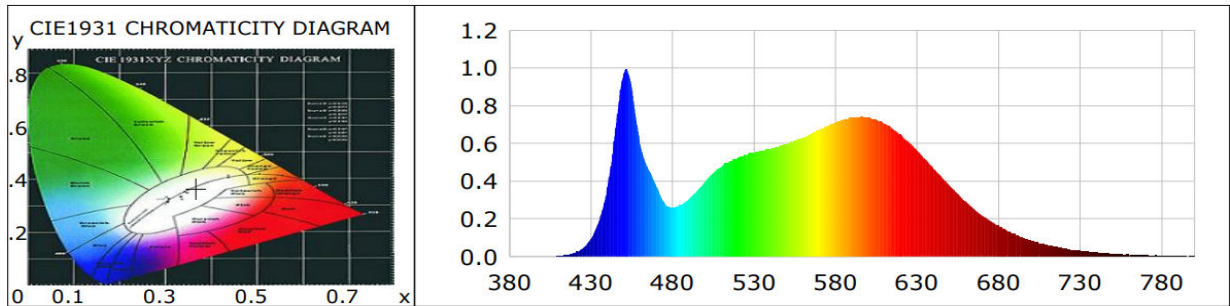
Test condition: light for 30 mins under nominal voltage input and 25°C±1° working environment

Optical and electrical test parameter:

CIE Colorimetric Parameters

Chromaticity coordinates: $x=0.3679$ $y=0.3658$ $u(u')=0.2212$ $v=0.3298$ $v'=0.4948$
 CCT: $T_c=4288K$ ($duv=-0.00135$) Color Ratio: $R=0.180$ $G=0.778$ $B=0.042$
 Peak Wavelength: 451.4nm Half Bandwidth: 21.1nm
 Dominant Wavelength: 578.8nm Color Purity: 0.202
 CRI: $R_a=85.8$ TM30: $R_f=85$, $R_g=96$
 GAI: $GAI_BB_8=94.7$, $GAI_BB_15=100.9$, $GAI_EES=78.7$

R1 =85	R2 =92	R3 =96	R4 =85	R5 =85	R6 =88	R7 =87	R8 =69
R9 =19	R10=80	R11=85	R12=65	R13=87	R14=98	R15=80	
Color Quality Scale: $Q_a=84.4$, $Q_f=84.5$, $Q_p=84.6$, $Q_g=93.7$							
Q1 =83	Q2 =98	Q3 =81	Q4 =78	Q5 =83	Q6 =86	Q7 =88	Q8 =90
Q9 =98	Q10=90	Q11=87	Q12=85	Q13=85	Q14=75	Q15=78	



Photometric Parameters

Luminous Flux: 3442.2 lm Efficiency: 95.19 lm/W Radiant Power: 6.374 W
 EEI: 0.24 Energy Efficiency Class: A (EU 874-2012)

Electric Parameters

Voltage: 220.80V Current: 0.1690A Power: 36.16W
 Power Factor: 0.9720 Frequency: 49.99Hz

Darkroom Test report

