

Product Datasheet



Products Family : Led Lighting Fixture
Products Name : Led Pendant Light Lina

Datasheet is valid for following Model numbers

Product Code	CCT	Body Color
BH16-09280	3IN1	White
BH16-09281	3IN1	Black
BH16-09286	3IN1	Golden

Manufacturer:
Demgrup international lighting limited
unit d 16/f,one capital place,18 luard road
wan chai, Hong Kong
www.demgrup.com.tr

Importer / Company:
Braytron S.R.L
Bulevardul iuliu maniu,nr.616, corp B
etaj 1 sector 6,061129 bucuresti, Romania
info@braytron.com www.braytron.com

Test condition:light for 30 mins under nominal voltage input and 25°C±1°working environment

General Characteristics

- Family : Led Lighting Fixture
- Sub Family : Led Pendant Light Lina
- Mounting Type : Pendant Mounting
- Lamp Shape : Non-Directional
- Dimmable : Not-Dimmable
- Light Source : LED
- Warranty : 3 years
- Class : Class I
- IP : IP20

Lamp Characteristics

- Wattage : 45 w
- Color Temperatue : 3IN1
- Luminous Flux(whole Product) : 3880 lm
- Luminous Flux(LED System) : 4520 lm
- Color Rendering Index(CRI) : > 80
- Energy Efficiency Level : F
- Beam Angle : 120 Degree(s)
- Chromaticity(SDCM) : < 6

Electrical Characteristics

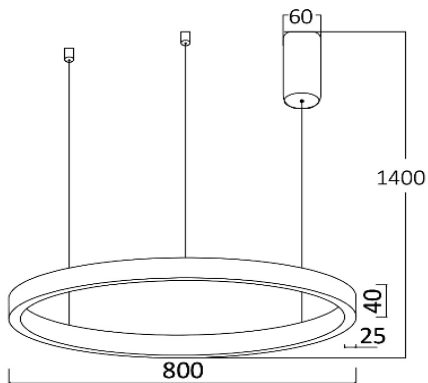
- Lifetime (L70B50) : 20000 h
- Input Voltage : 220-240V
- Frequency : 50-60 Hz
- Power Factor : > 0.9
- Starting Time : < 0.5 s
- Lumen Maintenance Factor : > 0.899
- Number of Switch Cycles : > 15000
- Material : Aluminium
- Working Temperature : -20°C~+45°C
- Storage Temperature : -20°C~+60°C
- Environment humidity(working) : 10%~65%

Test condition:light for 30 mins under nominal voltage input and 25°C±1°working environment

Lamp Dimensions & Weight

• Diameter(mm)	:	800
• Length(mm)	:	
• Width(mm)	:	
• Height(mm)	:	1400
• Cutout(mm)	:	
• Weight(kg)	:	2,08

Technical Drawing(s)



Reliability requirements and Test Conditions

- **Lumen maintenance**

Lumen maintenance is not lower than 89.9% after lighting for 2.5h on and 0.5h off for one cycle.
Total 1200 cycle and 3600h including 3000h on and 600h off.

- **Working life (L70B50)**

Under nominal voltage input, working life is forced not lower than 20000 h at 25°C±1°C

- **Remarks:**

Declared values above may vary ±5



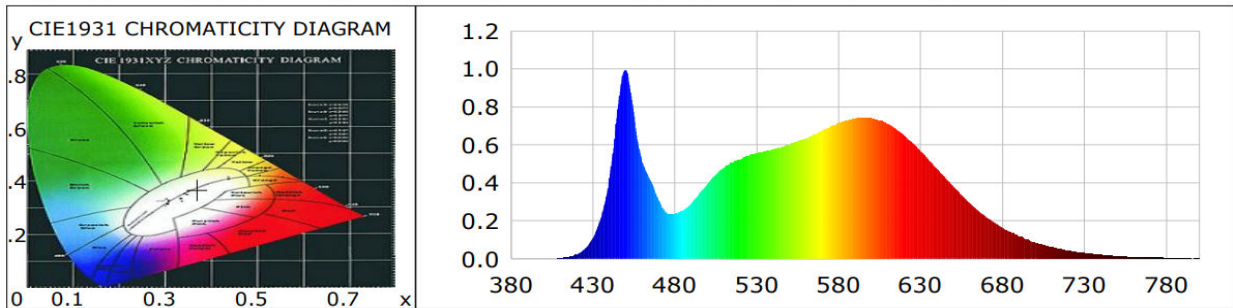
Test condition: light for 30 mins under nominal voltage input and 25°C±1° working environment

Optical and electrical test parameter:

CIE Colorimetric Parameters

Chromaticity coordinates: $x=0.3706$ $y=0.3683$ $u(u')=0.2220$ $v=0.3309$ $v'=0.4963$
 CCT: $T_c=4222K$ ($duv=-0.00101$) Color Ratio: $R=0.181$ $G=0.780$ $B=0.039$
 Peak Wavelength: 449.7nm Half Bandwidth: 19.5nm
 Dominant Wavelength: 578.9nm Color Purity: 0.217
 CRI: $R_a=85.3$ TM30: $R_f=85$, $R_g=97$
 GAI: $GAI_BB_8=95.0$, $GAI_BB_15=100.8$, $GAI_EES=78.1$

R1 =84	R2 =91	R3 =95	R4 =85	R5 =85	R6 =87	R7 =87	R8 =68
R9 =17	R10=78	R11=85	R12=65	R13=86	R14=97	R15=79	
Color Quality Scale: $Q_a=84.3$, $Q_f=84.3$, $Q_p=84.8$, $Q_g=94.2$							
Q1 =84	Q2 =99	Q3 =80	Q4 =78	Q5 =84	Q6 =86	Q7 =88	Q8 =90
Q9 =98	Q10=89	Q11=86	Q12=85	Q13=85	Q14=75	Q15=78	



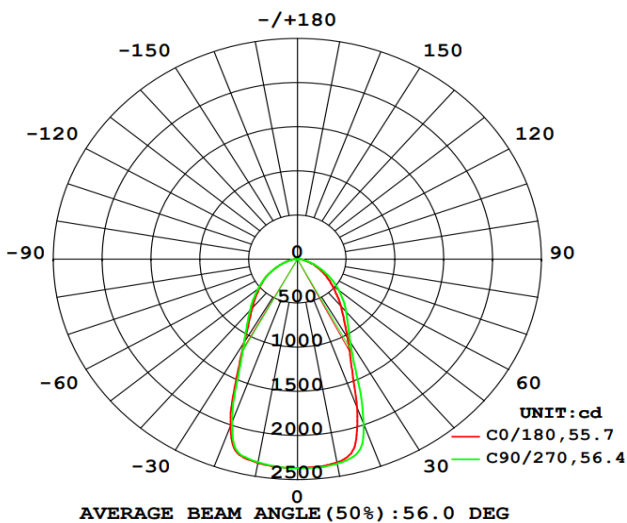
Photometric Parameters

Luminous Flux: 4397.6 lm Efficiency: 97.75 lm/W Radiant Power: 8.042 W
 EEI: 0.23 Energy Efficiency Class: A (EU 874-2012)

Electric Parameters

Voltage: 222.00V Current: 0.2100A Power: 44.99W
 Power Factor: 0.9710 Frequency: 49.99Hz

Darkroom Test report



Flux out: 1389 lm

Height	Ravg, Rmax	Angle: 55.66deg	Diameter
1m	1564, 2372lx		105.58cm
2m	390.9, 593.0lx		211.16cm
3m	173.8, 263.5lx		316.74cm
4m	97.74, 148.2lx		422.32cm
5m	62.55, 94.88lx		527.90cm
6m	43.44, 65.89lx		633.48cm
7m	31.91, 48.41lx		739.06cm
8m	24.43, 37.06lx		844.63cm
9m	19.31, 29.28lx		950.21cm
10m	15.64, 23.72lx		1055.79cm