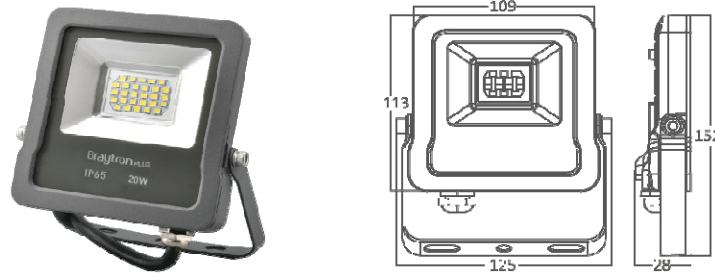


Product Datasheet



Products Family : Led Lighting Fixture
Products Name : LED Floodlight

Datasheet is valid for following Model numbers

Product Code	CCT	Body Color
BT61-02002	3000K	Grey
BT61-02032	6500K	Grey

Manufacturer:
Demgrup international lighting limited
unit d 16/f,one capital place,18 luard road
wan chai, Hong Kong
www.demgrup.com.tr

Importer / Company:
Braytron S.R.L
Bulevardul iuliu maniu,nr.616, corp B
etaj 1 sector 6,061129 bucuresti, Romania
info@braytron.com www.braytron.com

Test condition:light for 30 mins under nominal voltage input and 25°C±1°working environment

General Characteristics

- Family : Led Lighting Fixture
- Sub Family : LED Floodlight
- Mounting Type : Flood
- Lamp Shape : Directional
- Dimmable : Not-Dimmable
- Light Source : LED
- Warranty : 3 years
- Class : Class I
- IP : IP65
- IK : IK06

Lamp Characteristics

- Wattage : 20 w
- Color Temperatue : 3000K/6500K
- Luminous Flux(whole Product) : 1620 lm
- Luminous Flux(LED System) : 1620 lm
- Color Rendering Index(CRI) : > 70
- Energy Efficiency Level : F
- Beam Angle : 120 Degree(s)
- Chromaticity(SDCM) : < 6

Electrical Characteristics

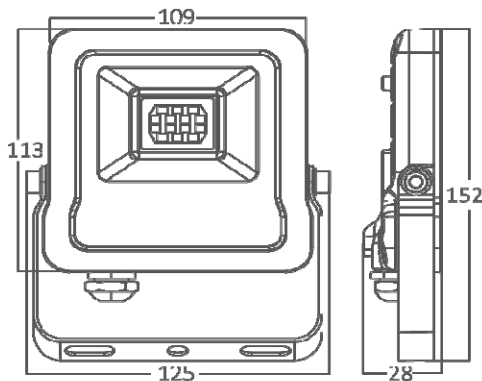
- Lifetime (L70B50) : 20000 h
- Input Voltage : 220-240V
- Frequency : 50-60 Hz
- Power Factor : > 0.9
- Starting Time : < 0.5 s
- Lumen Maintenance Factor : > 0.899
- Number of Switch Cycles : > 15000
- Material : Aluminium
- Working Temperature : -20°C~+45°C
- Storage Temperature : -20°C~+60°C
- Environment humidity(working) : 10%~65%

Test condition:light for 30 mins under nominal voltage input and 25°C±1°working environment

Lamp Dimensions & Weight

- Diameter(mm) : :
- Length(mm) : 125
- Width(mm) : 28
- Height(mm) : 152
- Cutout(mm) : :
- Weight(gr) : 310

Technical Drawing(s)



Reliability requirements and Test Conditions

- **Lumen maintenance**
Lumen maintenance is not lower than 89.9% after lighting for 2.5h on and 0.5h off for one cycle.
Total 1200 cycle and 3600h including 3000h on and 600h off.
- **Working life (L70B50)**
Under nominal voltage input, working life is forced not lower than 20000 h at 25°C±1°C

- **Remarks:**

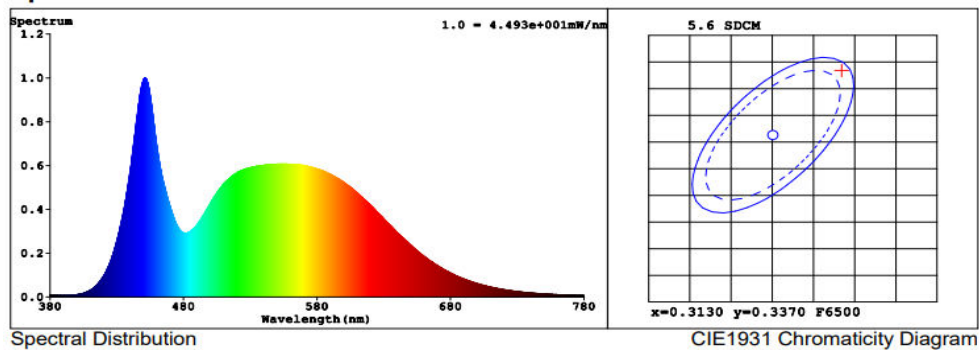
Declared values above may vary ±5



Luminare is intendet to use in outdoor aplications

Test condition:light for 30 mins under nominal voltage input and 25°C±1°working environment

Optical and electrical test parameter:



Colorimetric Quantities

Chromaticity Coordinate: x = 0.3202 y = 0.3467 / u' = 0.1964 v' = 0.4786 (duv=8.45e-03)
 CCT= 6040K Prcp WL: Ld=505.6nm Purity=4.0%
 Peak WL: Lp=451nm FWHM: =27.6nm Ratio:R=13.3% G=81.6% B=5.1%

Render Index: Ra = 81.1

R1 =78 R2 =85 R3 =91 R4 =81 R5 =79 R6 =81 R7 =88
 R8 =66 R9 =0 R10=65 R11=79 R12=60 R13=79 R14=95 R15=72

Photometric & Radiometric Quantities

Flux = 1922.3 lm Eff. : 94.19 lm/W Fe = 6.0589 W
 Flux of emitted photons(umol/s):27.393 Flu. and blue light ratio:2.805 Fluorescent eff.:212.3
 Photosynthetic:PPF:24.624umol/s PAR WATT:5467.8mW(400-700nm)

Electrical parameters

V = 230.4 V I = 0.09134 A P = 20.41 W PF = 0.9696

Darkroom Test report

