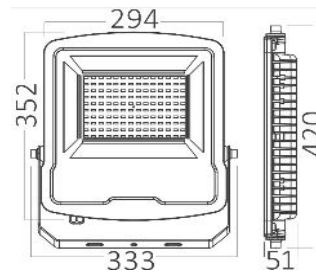


Product Datasheet



Products Family : Led Lighting Fixture
Products Name : LED Floodlight

Datasheet is valid for following Model numbers

Product Code	CCT	Body Color
BT61-09402	3000K	Grey
BT61-09432	6500K	Grey

Manufacturer:
Demgrup international lighting limited
unit d 16/f,one capital place,18 luard road
wan chai, Hong Kong
www.demgrup.com.tr

Importer / Company:
Braytron S.R.L
Bulevardul iuliu maniu,nr.616, corp B
etaj 1 sector 6,061129 bucuresti, Romania
info@braytron.com www.braytron.com

Test condition:light for 30 mins under nominal voltage input and 25°C±1°working environment

General Characteristics

- Family : Led Lighting Fixture
- Sub Family : LED Floodlight
- Mounting Type : Flood
- Lamp Shape : Directional
- Dimmable : Not-Dimmable
- Light Source : LED
- Warranty : 3 years
- Class : Class I
- IP : IP65
- IK : IK06

Lamp Characteristics

- Wattage : 150 w
- Color Temperatue : 3000K/6500K
- Luminous Flux(whole Product) : 12200 lm
- Luminous Flux(LED System) : 12200 lm
- Color Rendering Index(CRI) : > 80
- Energy Efficiency Level : F
- Beam Angle : 120 Degree(s)
- Chromaticity(SDCM) : < 6

Electrical Characteristics

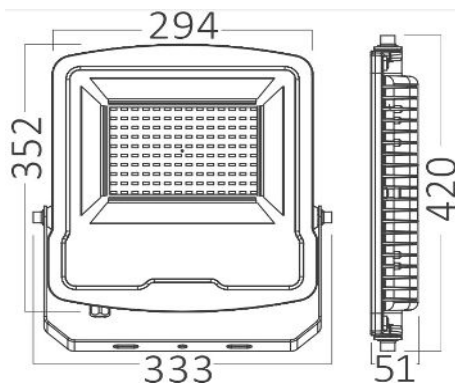
- Lifetime (L70B50) : 20000 h
- Input Voltage : 220-240V
- Frequency : 50-60 Hz
- Power Factor : > 0.9
- Starting Time : < 0.5 s
- Lumen Maintenance Factor : > 0.899
- Number of Switch Cycles : > 15000
- Material : Aluminium
- Working Temperature : -20°C~+45°C
- Storage Temperature : -20°C~+60°C
- Environment humidity(working) : 10%~65%

Test condition:light for 30 mins under nominal voltage input and 25°C±1°working environment

Lamp Dimensions & Weight

- Diameter(mm) : :
- Length(mm) : 333
- Width(mm) : 51
- Height(mm) : 420
- Cutout(mm) : :
- Weight(kg) : 3,2

Technical Drawing(s)



Reliability requirements and Test Conditions

- **Lumen maintenance**

Lumen maintenance is not lower than 89.9% after lighting for 2.5h on and 0.5h off for one cycle.
Total 1200 cycle and 3600h including 3000h on and 600h off.

- **Working life (L70B50)**

Under nominal voltage input, working life is forced not lower than 20000 h at 25°C±1°C

- **Remarks:**

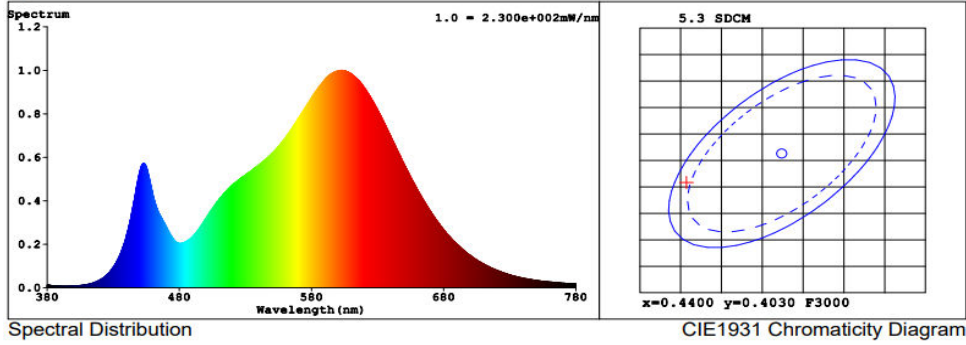
Declared values above may vary ±5



Luminare is intendet to use in outdoor aplications

Test condition: light for 30 mins under nominal voltage input and 25°C±1° working environment

Optical and electrical test parameter:



Colorimetric Quantities

Chromaticity Coordinate: $x = 0.4299$ $y = 0.3986$ / $u' = 0.2484$ $v' = 0.5182$ ($duv = -1.19e-03$)
 CCT= 3077K Prcp WL: $\lambda_d = 582.9nm$ Purity=48.7%
 Peak WL: $\lambda_p = 603nm$ FWHM: =130.0nm Ratio: R=22.5% G=74.8% B=2.7%

Render Index: Ra = 82.8

R1 =81 R2 =91 R3 =96 R4 =81 R5 =82 R6 =89 R7 =83
 R8 =59 R9 =7 R10=80 R11=80 R12=72 R13=84 R14=99 R15=74

Photometric & Radiometric Quantities

Flux = 15039 lm Eff. : 101.02 lm/W $F_e = 45.913 W$
 Flux of emitted photons(umol/s):221.91 Fluo. and blue light ratio:7.517 Fluorescent eff.:268.2
 Photosynthetic:PPF:161.06umol/s PAR WATT:33544mW(400-700nm)

Electrical parameters

V = 230.0 V I = 0.6570 A P = 148.9 W PF = 0.9851

Darkroom Test report

