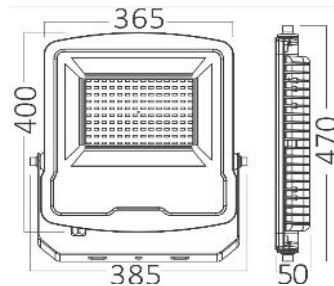


Product Datasheet



Products Family : Led Lighting Fixture
Products Name : LED Floodlight

Datasheet is valid for following Model numbers

Product Code	CCT	Body Color
BT61-09602	3000K	Grey
BT61-09632	6500K	Grey

Manufacturer:
Demgrup international lighting limited
unit d 16/f,one capital place,18 luard road
wan chai, Hong Kong
www.demgrup.com.tr

Importer / Company:
Braytron S.R.L
Bulevardul iuliu maniu,nr.616, corp B
etaj 1 sector 6,061129 bucuresti, Romania
info@braytron.com www.braytron.com

Test condition:light for 30 mins under nominal voltage input and 25°C±1°working environment

General Characteristics

- Family : Led Lighting Fixture
- Sub Family : LED Floodlight
- Mounting Type : Flood
- Lamp Shape : Directional
- Dimmable : Not-Dimmable
- Light Source : LED
- Warranty : 3 years
- Class : Class I
- IP : IP65
- IK : IK06

Lamp Characteristics

- Wattage : 200 w
- Color Temperatue : 3000K/6500K
- Luminous Flux(whole Product) : 16000 lm
- Luminous Flux(LED System) : 16000 lm
- Color Rendering Index(CRI) : > 80
- Energy Efficiency Level : F
- Beam Angle : 120 Degree(s)
- Chromaticity(SDCM) : < 6

Electrical Characteristics

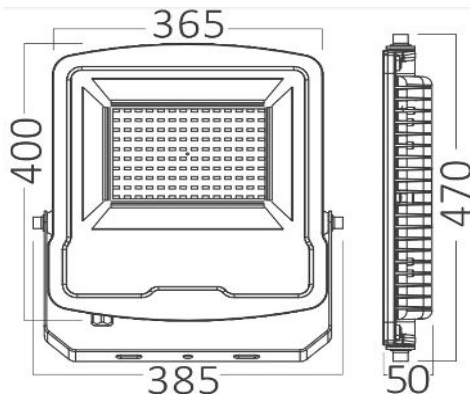
- Lifetime (L70B50) : 20000 h
- Input Voltage : 220-240V
- Frequency : 50-60 Hz
- Power Factor : > 0.9
- Starting Time : < 0.5 s
- Lumen Maintenance Factor : > 0.899
- Number of Switch Cycles : > 15000
- Material : Aluminium
- Working Temperature : -20°C~+45°C
- Storage Temperature : -20°C~+60°C
- Environment humidity(working) : 10%~65%

Test condition: light for 30 mins under nominal voltage input and 25°C±1° working environment

Lamp Dimensions & Weight

- Diameter(mm) : :
- Length(mm) : 385
- Width(mm) : 50
- Height(mm) : 470
- Cutout(mm) : :
- Weight(kg) : 4,6

Technical Drawing(s)



Reliability requirements and Test Conditions

- **Lumen maintenance**

Lumen maintenance is not lower than 89.9% after lighting for 2.5h on and 0.5h off for one cycle.
Total 1200 cycle and 3600h including 3000h on and 600h off.

- **Working life (L70B50)**

Under nominal voltage input, working life is forced not lower than 20000 h at 25°C±1°C

- **Remarks:**

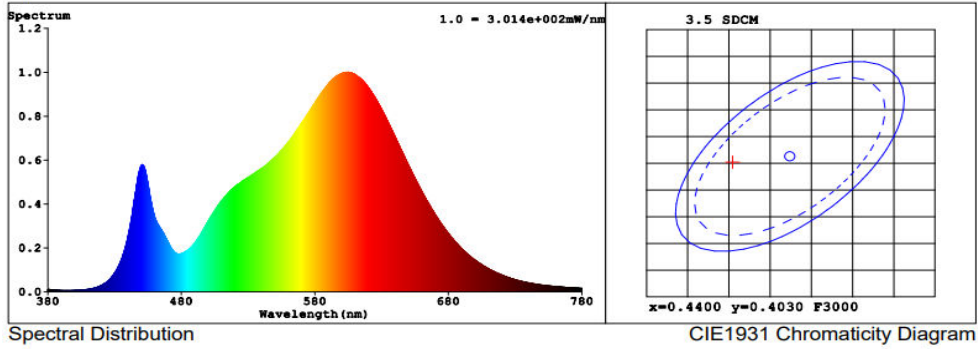
Declared values above may vary ±5



Luminare is intendet to use in outdoor aplications

Test condition:light for 30 mins under nominal voltage input and 25°C±1°working environment

Optical and electrical test parameter:



Colorimetric Quantities

Chromaticity Coordinate: x = 0.4340 y = 0.4022 / u' = 0.2495 v' = 0.5202 (duv=-3.61e-04)
 CCT= 3035K Prcp WL: Ld=582.8nm Purity=51.0%
 Peak WL: Lp=604nm FWHM: =131.5nm Ratio:R=22.8% G=74.7% B=2.5%

Render Index: Ra = 83.2

R1 =82 R2 =91 R3 =97 R4 =82 R5 =82 R6 =89 R7 =83
 R8 =60 R9 =9 R10=79 R11=82 R12=71 R13=84 R14=99 R15=74

Photometric & Radiometric Quantities

Flux = 19225 lm Eff. : 102.38 lm/W Fe = 58.341 W
 Flux of emitted photons(umol/s):282.48 Fluo. and blue light ratio:8.354 Fluorescent eff.:273.3
 Photosynthetic:PPF:209.55umol/s PAR WATT:43544mW(400-700nm)

Electrical parameters

V = 230.5 V I = 0.8274 A P = 187.8 W PF = 0.9849

Darkroom Test report

